



## Metal Detecting Separator



**JST ENGINEERING CO.,LTD.**

78/6 MOO 7 KING KAEW RD., RACHATEWA,  
BANGPLEE, SAMUTPRAKARN 10540 THAILAND.

TEL: +66 (0) 2738 5050-4 URL: [www.jst.co.th](http://www.jst.co.th)

FAX: +66 (0) 2738 5055 LINE ID: @jst.co.th

E-mail: [info@jst.co.th](mailto:info@jst.co.th) [www.facebook.com/jst.co.th](https://www.facebook.com/jst.co.th)

SMS



Refer carefully to this manual before operation.

## ■ Coding Principle



## ■ Features

- Fast separating all the metals from the material.
- The minimum detectable diameter of the metals can be as small as 0.5mm.
- Compact design, easy to install and simple to operate.
- Standard equipped with a 12L/3.2gal hopper.

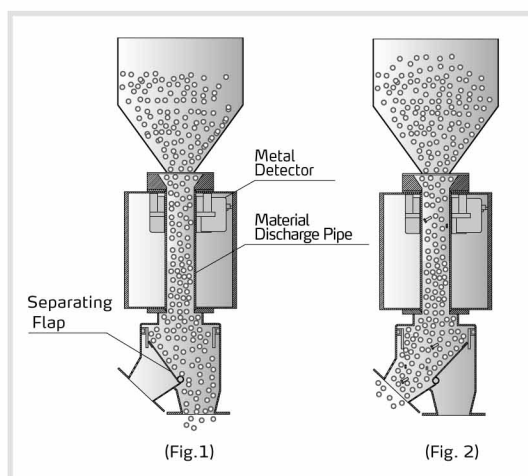
## ■ Options

For models optional with the floor stand, and add "F" at the end of the model code.

## ■ Application

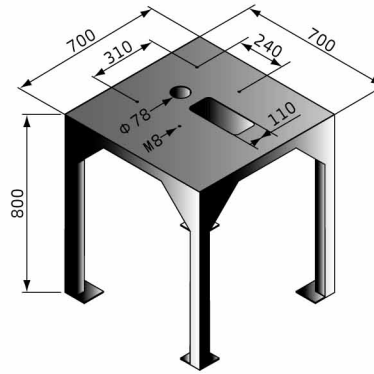
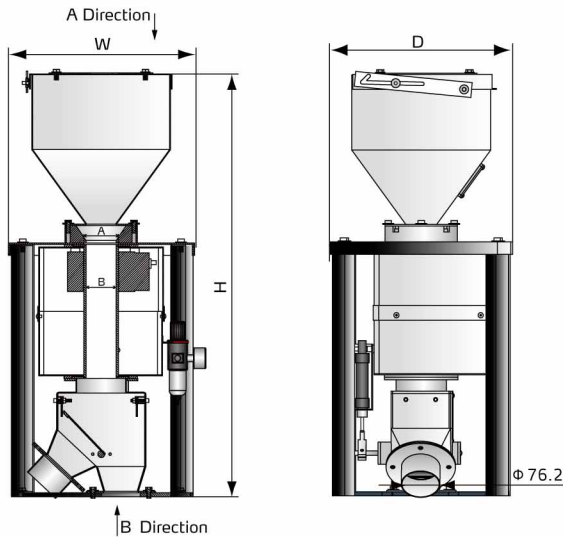
SMS series metal detecting separators are highly sensitive and accurate in detecting and separating metal grains, such as steel, iron, copper, aluminum, lead, tin, etc. It can be installed directly on injection molding machine or (extruders) hoppers to protect the screw of machine from the damage caused by hard metals. When it installed on the injection molding machine or on hopper of the extruder, material level sensor should be mounted on the hopper to prevent material blockage which affects machine testing.

## ■ Working Principle

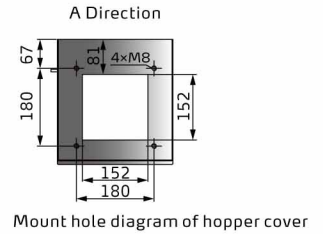


# SMS Series

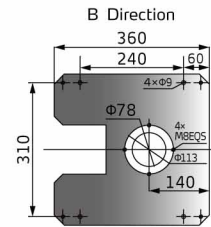
## Outline Drawings



Floor Stand Dimensions



Mount hole diagram of hopper cover



Mount hole diagram for base

## Specifications

Model	SMS-35	SMS-50	SMS-70
Maximum Throughput (L/hr)	600	1500	3000
Minimum Detectable Diameter (mm)	0.5	0.6	1.0
Metal detection coil inner diameter $\Phi A$ (mm)	35	50	70
Object detection passage inner diameter $\Phi B$ (mm)	28	43	61
Dimensions (mm) H x W x D	860 x 405 x 368	860 x 405 x 368	860 x 405 x 368
Weight (kg)	50	50	50

- Notes: 1) Testing result of maximum throughput is based on particles of 0.8kg/L in bulk density and 2~3mm in size.  
 2) The minimum metal diameter is detected based on carbon steel testing standard.  
 3) SMS-35/50 is suitable for free-flow plastic granules with a diameter  $\leq 4$ mm  
 4) SMS-70 is suitable for free-flow plastic granules with a diameter  $\leq 8$ mm or regrind with a length  $\leq 8$ mm  
 5) Power supply: 1 $\Phi$ , 115/230VAC, 50/60Hz.

We reserve the right to change specifications without prior notice.