



## Volumetric Doser



**JST ENGINEERING CO.,LTD.**

78/6 MOO 7 KING KAEW RD., RACHATEWA,  
BANGPLEE, SAMUTPRAKARN 10540 THAILAND.

TEL: +66 (0) 2738 5050-4

URL: [www.jst.co.th](http://www.jst.co.th)

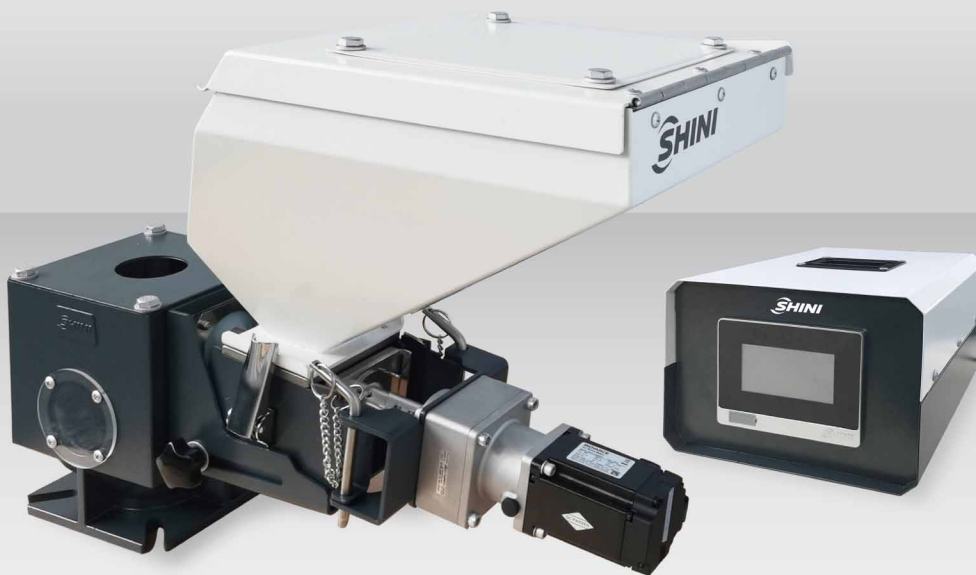
FAX: +66 (0) 2738 5055

LINE ID: @jst.co.th

E-mail: [info@jst.co.th](mailto:info@jst.co.th)

[www.facebook.com/jst.co.th](https://www.facebook.com/jst.co.th)

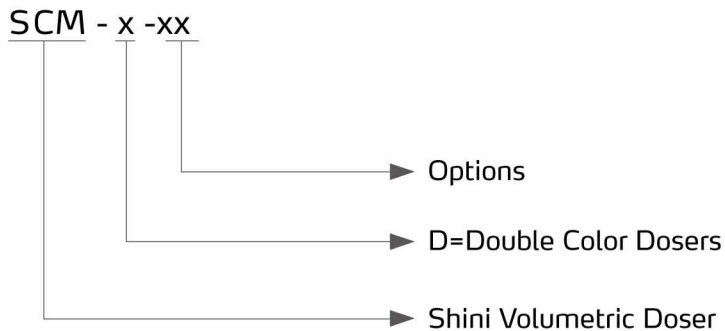
SCM



Refer carefully to this manual before operation.

# SCM Series

## ■ Coding Principle



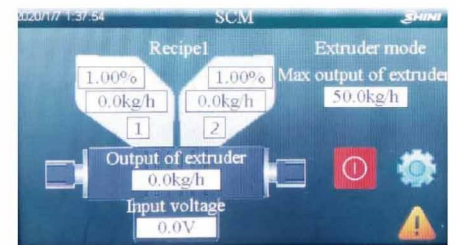
SCM-D



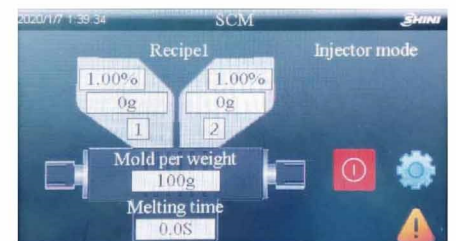
SCM-H

## ■ Features

- Adopt high precision servo motor to ensure fast and smooth dosing.
- Equipped with 1:5 gear box to increase the torque and reduce overload
- The throughput with a range of 0.1~130kg/h per screw.
- Easy and user-friendly touch screen control.
- Chrome coating dosing screw for longer durability.
- Modular design for easy color change and maintenance;
- Synchronize of masterbatch dosing ratio with extruder speed in the extrusion mode.
- Uninterrupted production recovery in case of power failure.
- Material purge cleaning for easy replacement of masterbatch.
- Up to 50 memory slots for material receipts
- Ability to monitor, alarm, and stop the unit during the masterbatch blockage via overload
- Support micro-dosing mode; masterbatch will dose once per X cycle.
- The high temp. volumetric doser with water cooling tank can process materials reaching 180°C drying temp.
- Modbus RTU data communication via RS485.



Extrusion mode

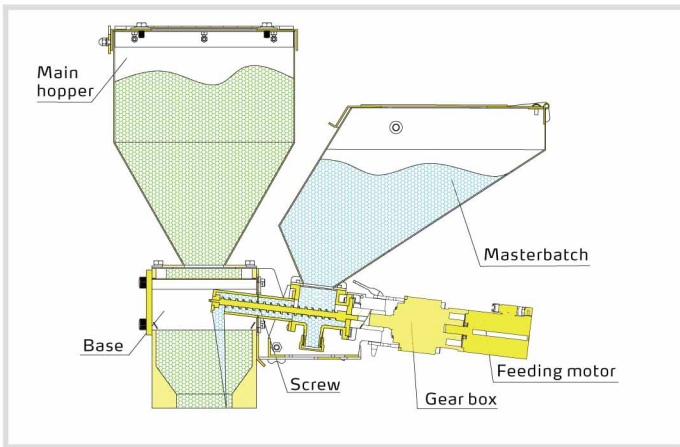


Injector mode

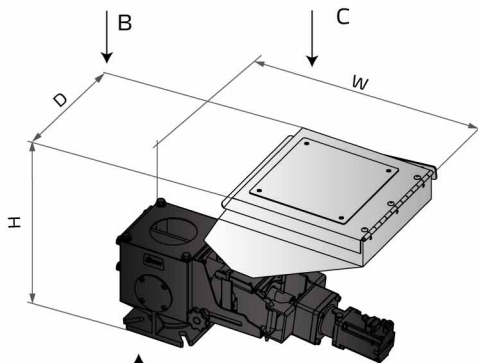
## Application

SCM series volumetric doser is suitable for injection molding and extrusion blow molding occasions, which can be used for auto proportional mixing of virgin materials, regrinds, masterbatch, or additives. The injection molding mode supports multiple external signal input modes. The dual-doser is available for multiple component applications. SCM can work with the Venturi Loader VL to realize the auto conveying of the masterbatch to the dosing unit.

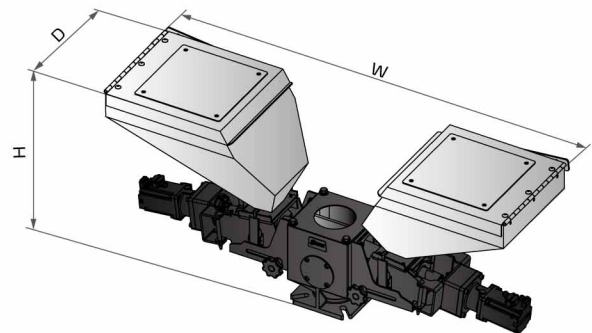
## Working Principle



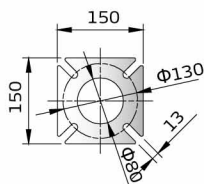
## Outline Drawings



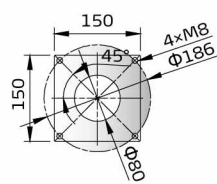
Single Color Doser



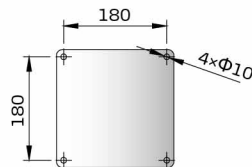
Double-color Doser



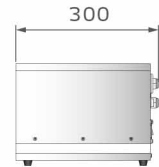
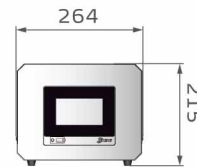
A



B



C



Control Box

# SCM Series

## Specifications

Model		Single Color Doser		Double-color Doser	
		SCM/SCM-H		SCM-D	
Motor Power (kW,50Hz/60Hz)		0.4		0.4×2	
Screw External Dia.		16mm	0.63"	16mm	0.63"
Output Capacity		0.1-130kg/hr	0.22-286.6lb/hr	0.2-260kg/hr	0.44-573.2lb/hr
Storage Hopper		10L	2.6gal	10L	2.6gal
Dimensions	H	420mm	16.5"	420mm	16.5"
	W	585mm	23"	1030mm	40.6"
	D	300mm	11.8"	300mm	11.8"
Weight		18kg	39.7lb	30kg	66.1lb

Notes:1) The outputs of above models are measured under the conditions of 1.0kg/L bulk density and, masterbatch particles in diameter of 2-3mm by continuous operation. Actual output capacity depends on actual material's characteristics, the actual material, such as bulk density, flow ability, particle size, which is also depended on the setting recipe.

2) When the master batch hopper is mounted with the auto conveying device, the total weight of the hopper shall not exceed 25KG (including the master batch).

3) Power supply: 1Φ, 230VAC, 50Hz.

## Options

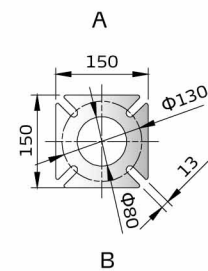
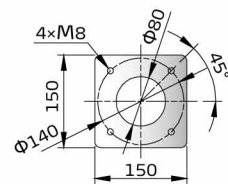
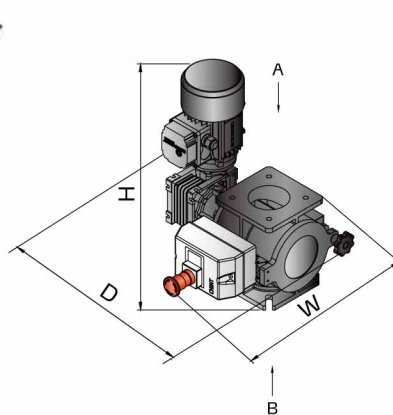
Optional masterbatch low-level sensor. Add "LS" at the end of the model code.

## Accessories

- Mixer CMB-1 enhances the mixing uniformity



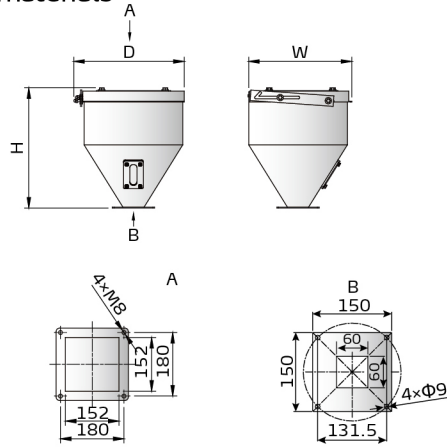
Optional blender



Model	Motor power(kw)	H(mm)	W(mm)	D(mm)
CMB-1	0.25	364	347	371

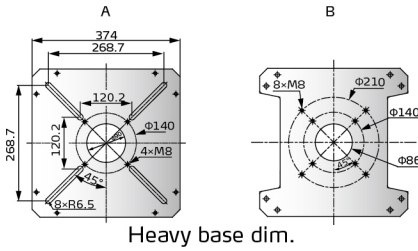
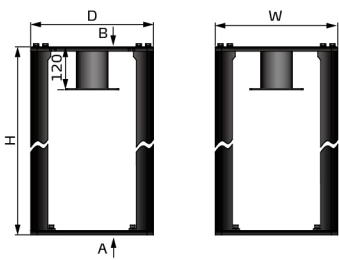
Notes: 1) Power supply: 3Φ, 400VAC, 50Hz.

- Main Material Hopper for customer to add main materials



Model	Capacity(L)	Material	H	D	W
MH-15	15	SUS201	340	314	293

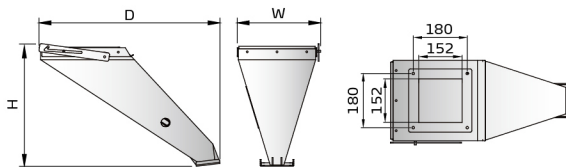
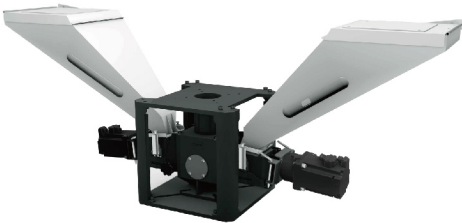
- Heavy base(collocate with SEHD/SHD-E-300kg and below or SHD-450U and below model)



Model	H	D	W
HB-1	332	374	374
HB-2	527	374	374

Notes: 1) When collocating with standard SCM, the model is HB-1  
 2) When collocating with standard SCM+CMB-1, the model is HB-2

- Long hopper is worked with the heavy base



Model	Capacity(L)	Material	H	D	W
LH-15	15	SUS201	411	608	281

Note: When the long hopper is mounted with the auto conveying device, the total weight of the hopper shall not exceed 20KG (including the master batch).